

# HPR 125-02 D Double pump for open circuit operation

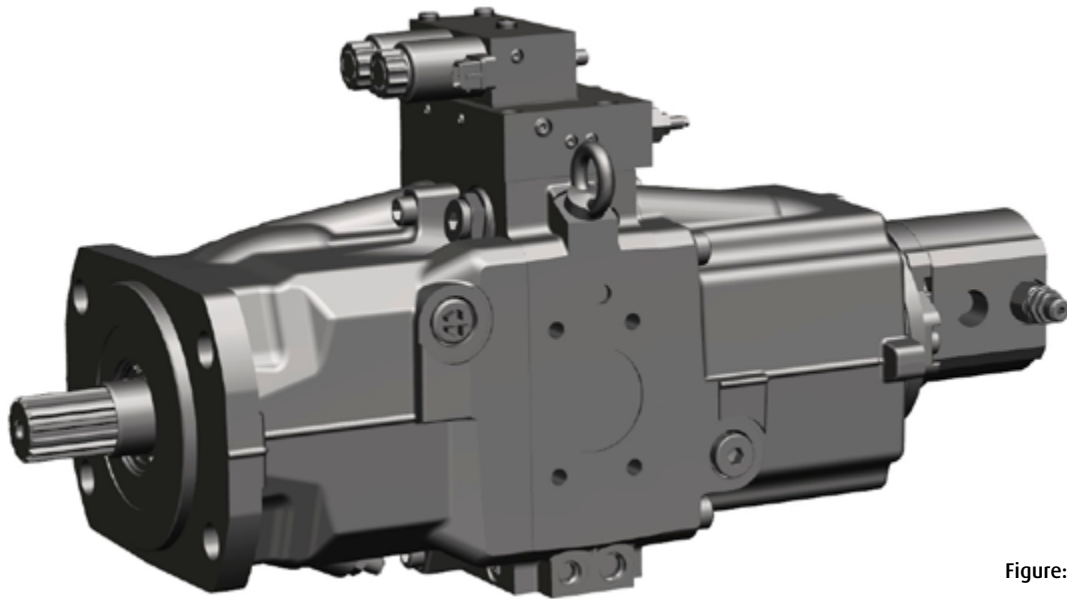


Figure: nominal size 125D

## Design Characteristics

- >> Electro-proportional controlled pump
- >> Application-specific design & scope of functions
- >> Standardized interfaces

## Advantages

- >> Cost-efficient solution & precise control
- >> High power density & compact dimensions
- >> No need of application engineering

## General technical data

Nominal size			125D	210D	249D
Displacement	Max. Displacement	cc/rev	2x125	2x210	2x249
	Speed	Maximum speed	rev/min	2400	2100
Oil flow	Max. oil flow <sup>1</sup>	l/min	600	882	1000
Pressure	Nominal pressure	bar	350	350	350
	Max. pressure <sup>2</sup>		420	420	420
Torque	Max.input torque	Nm	1392	2339	2785
	Max.oper.pressure and Vmax				
Power	Corner power(theoretical) at nominal pressure & max.operatiing speed	kW	250	367	416
	Corner power(theoretical) at Max input torque & max.operatiing speed				
Weight	approx. (without oil)	kg	113	180	340

<sup>1</sup> theoretical data of a single unit without efficiency effects

<sup>2</sup> highest transient pressure, that can temporarily occur

# HPR 125-02 D Double pump for open circuit operation

Linde Hydraulics

Linde

## Interfaces & Options

Nominal size	Flange	Shaft	PTO
125D	similar to ISO 3019-2 160-4	JIS D2001 14x2,5	SAE A
	SAE-D 152-4*	ISO 3019-1 13T 8/16*	SAE-B, BB, C*
210D	similar to ISO 3019-2 160-4	JIS D2001 17x2,5	SAE A
	SAE-E 165-4*	ISO 3019-1 15T 8/16*	SAE-B, BB, C*
249D	SAE J617- No 1	ISO 3019-1 17T 8/16	SAE-A, B, BB
	-	-	SAE C*

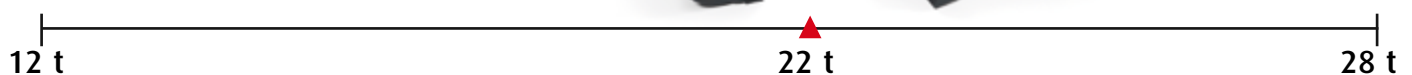
Nominal size	Controller	Working and aux. ports	Direction	Sensor
125D	E1	JIS B2351	CW	
	EP*	ISO 6149-1*	CCW*	Swash angle*
210D	E1	JIS B2351	CW	
	EP*	ISO 6149-1*	CCW*	Swash angle*
249D	E1	JIS B2351	CW	
	EP*	ISO 6149-1*	CCW*	Swash angle*

\* execution upon request

## Application example



## Category



## Equipment

- A** 1x iCon CD 97-01
- B** 1x HPR 125-02 D
- C** 1x VW22/18 M5-03
- D** 1x HMF 55-02
- E** 1x HMR 105-02 H5P2

Linde Hydraulics GmbH & Co. KG  
 Wailandtstraße 13  
 63741 Aschaffenburg  
 Fon +49 6021 150 00  
 Email [info@linde-hydraulics.com](mailto:info@linde-hydraulics.com)  
 Web <http://www.linde-hydraulics.com>