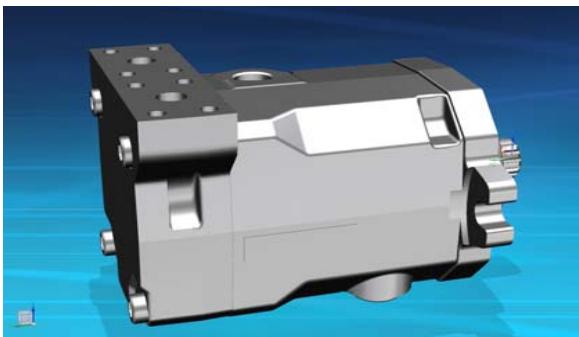


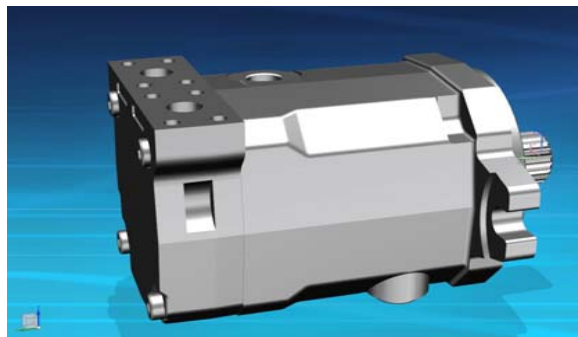
3D Models for Download. Overview HMF-02

HMF 28/35-02



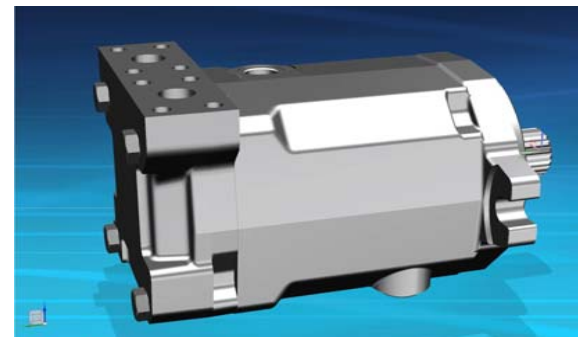
drive shaft: SAE-16/32-15 teeth

HMF 50-02



drive shaft: ANSI-16/32-21 teeth

HMF 75-02



drive shaft: ANSI-16/32-21 teeth

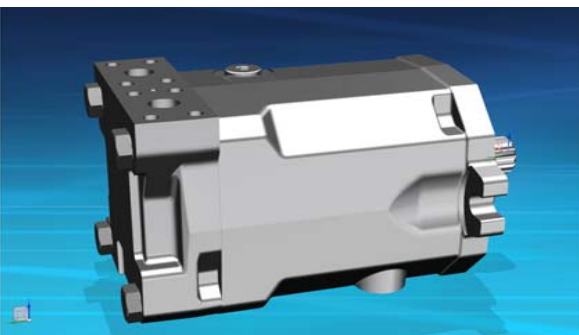
HMF 75-02 P



integrated swing function

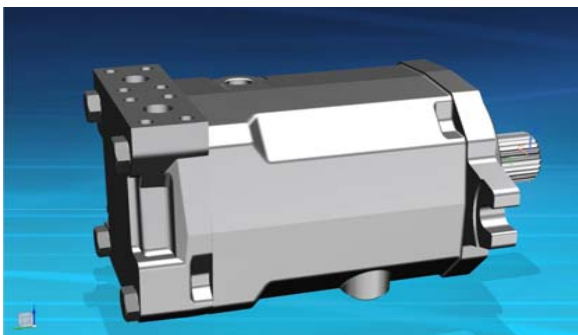
drive shaft: ANSI-16/32-21 teeth

HMF 105-02



drive shaft: SAE-12/24-14 teeth

HMF 135-02



drive shaft: ANSI-16/32-27 teeth