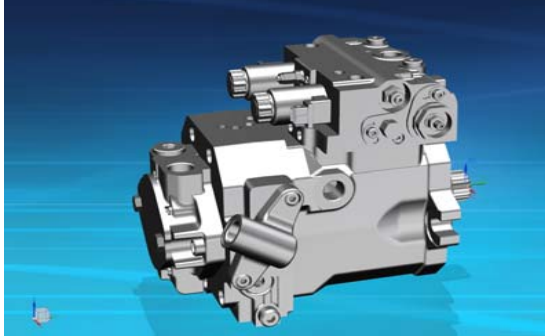


3D Models for Download. Overview HPV-02

HPV 55-02



clockwise rotation

control: E1P

drive shaft: ANSI-16/32-21 teeth

charge port flange, 90°

gear pump:
IGP-16 ccm/rev, internal suction

HPV 75-02



clockwise rotation

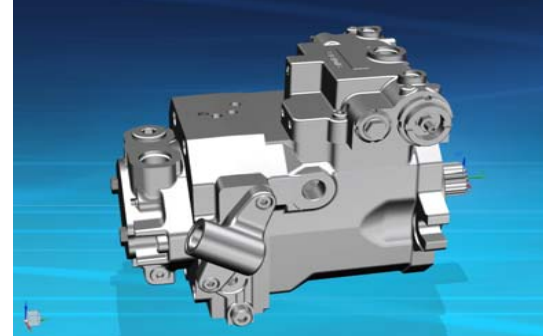
control: M1

drive shaft: ANSI-16/32-21 teeth

flange with filter

gear pump:
IGP-22,5 ccm/rev, internal suction

HPV 105-02



clockwise rotation

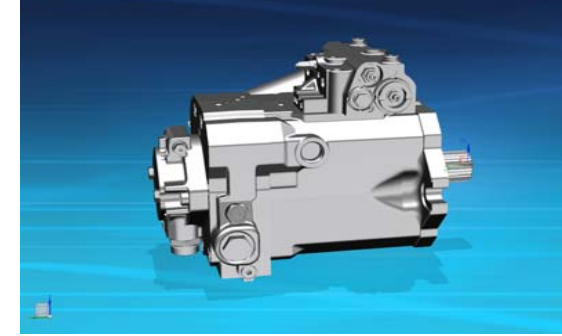
control: H1

drive shaft: ANSI-16/32-23 teeth

charge port flange, 90°

gear pump:
IGP-22,5 ccm/rev, internal suction

HPV 135-02



clockwise rotation

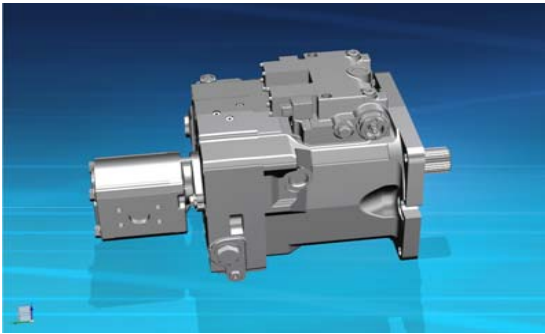
control: H1P

drive shaft: ANSI-16/32-27 teeth

flange with filter

gear pump:
IGP-22,5 ccm/rev, external suction,
with pipe adapter

HPV 165-02



clockwise rotation

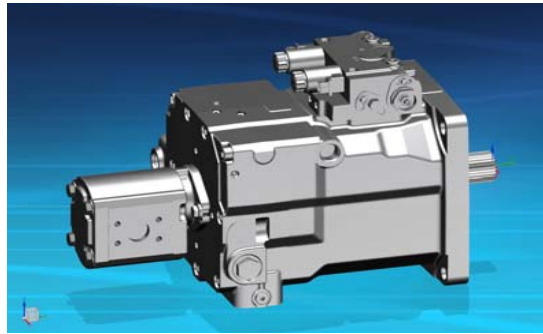
control: E1

drive shaft: ANSI-16/32-27 teeth

flange with filter

gear pump:
EGP-38 ccm/rev, external suction

HPV 210-02



clockwise rotation

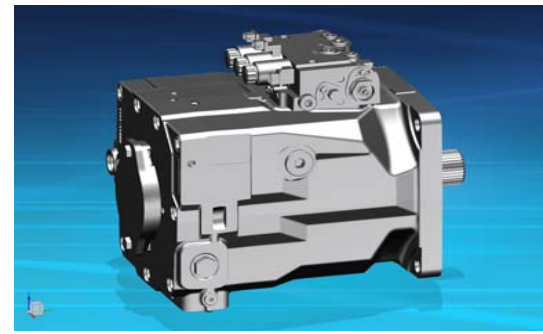
control: E1

drive shaft: ANSI-16/32-27 teeth

flange with filter

gear pump:
EGP-38 ccm/rev, external suction

HPV 280-02



clockwise rotation

control: E2

drive shaft: ANSI-16/32-33 teeth

flange with filter

gear pump: without,
PTO flange SAE B