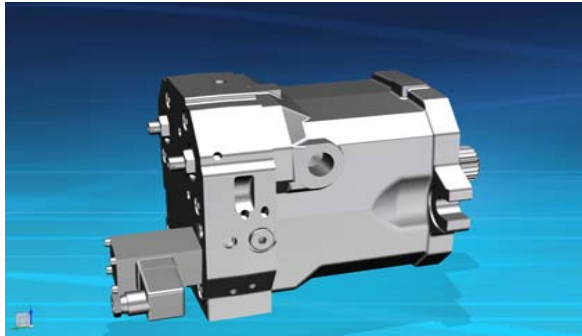


3D Models for Download. Overview H MV-02

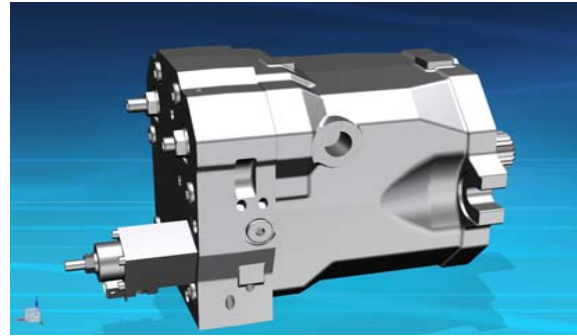
H MV 55-02



E-control, DIN connector

drive shaft: ANSI-16/32-21 teeth

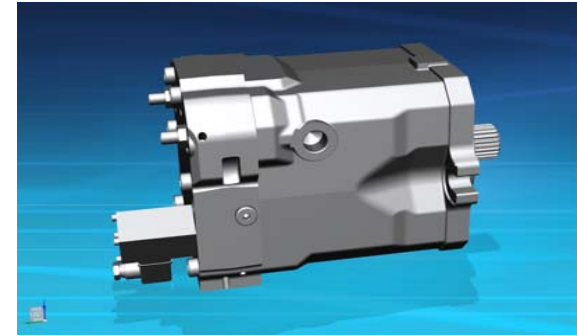
H MV 75-02



E-control, AMP connector

drive shaft: ANSI-16/32-21 teeth

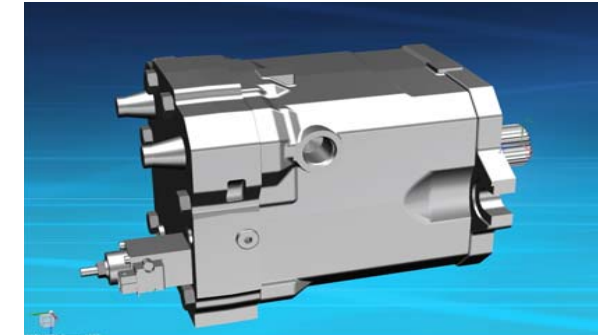
H MV 105-02



E-control, DIN connector

drive shaft: ANSI-16/32-23 teeth

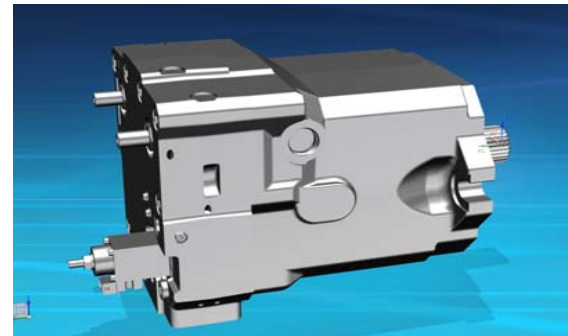
H MV 135-02



E-control, AMP connector

drive shaft: ANSI-16/32-27 teeth

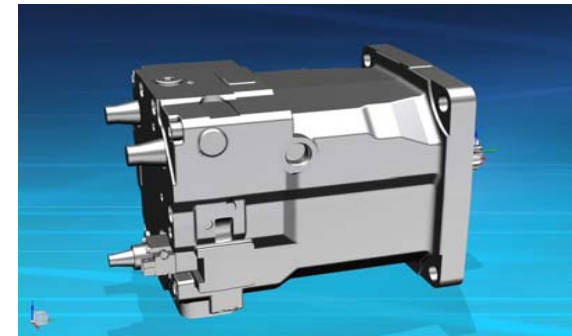
H MV 165-02



E-control, AMP connector

drive shaft: ANSI-16/32-27 teeth

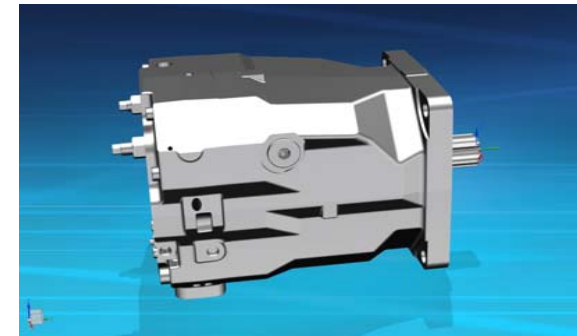
H MV 210-02



E-control, AMP connector

drive shaft: SAE-8/16-15 teeth

H MV 280-02



H-control

drive shaft: SAE-8/16-15 teeth