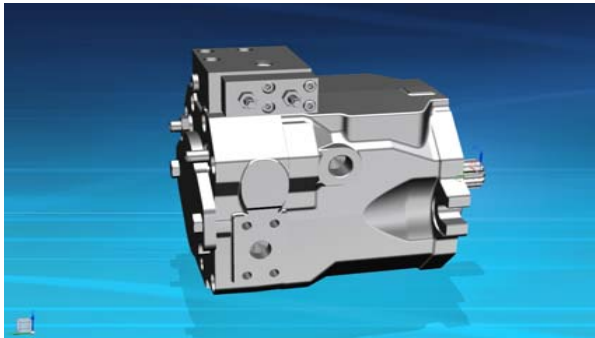


3D Models for Download. Overview HPR-02

HPR 55-02



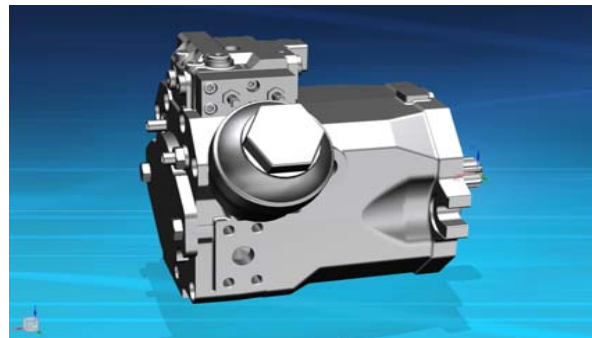
clockwise rotation (or ccw)

control: LP

drive shaft: SAE-12/24-14 teeth

SPU: without

HPR 75-02



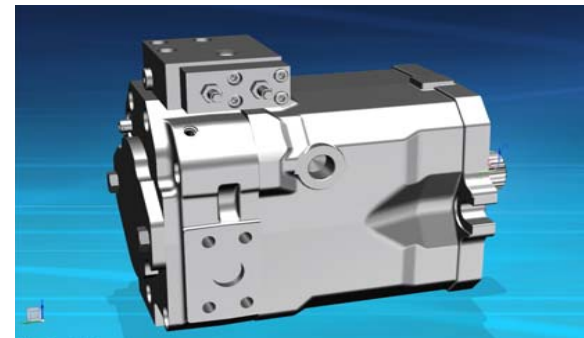
clockwise rotation

control: E1L

drive shaft: SAE-12/24-14 teeth

SPU: with

HPR 105-02



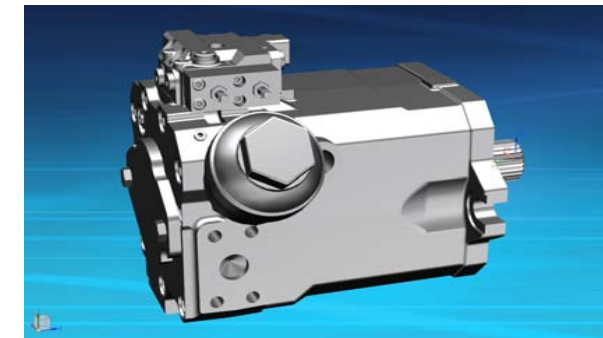
clockwise rotation

control: LP

drive shaft: ANSI-16/32-23 teeth

SPU: without

HPR 135-02



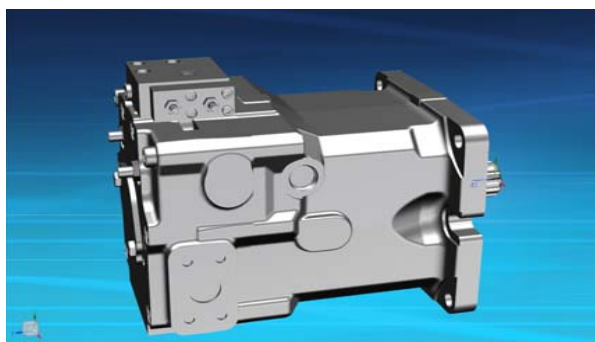
clockwise rotation

control: E1L

drive shaft: ANSI-16/32-27 teeth

SPU: with

HPR 165-02



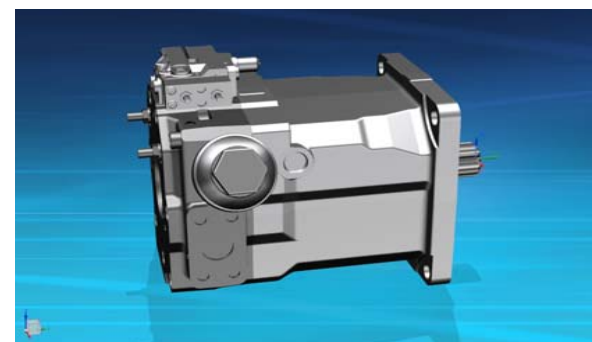
ccw rotation (or cw)

control: LP

drive shaft: SAE-8/16-13 teeth

SPU: without

HPR 210-02



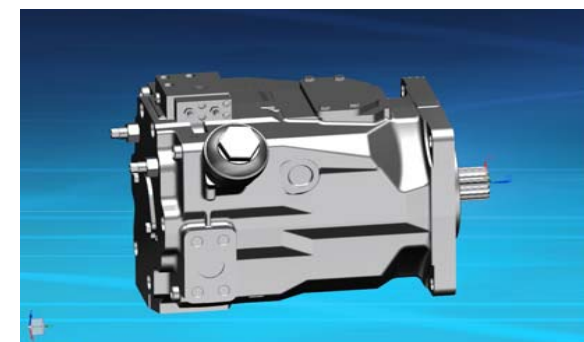
clockwise rotation

control: E1L

drive shaft: SAE-8/16-15 teeth

SPU: with

HPR 280-02



clockwise rotation

control: LP

drive shaft: SAE-8/16-15 teeth

SPU: with